

Field Modifications

Overview

Modifications to nuclear plant components are often required as components age. These modifications may be required to improve access for inspection or maintenance, to repair in-service degradation and damage, or to address other plant-related needs. BWXT's experience designing and providing field services to nuclear pressure vessel equipment enables our engineers to design and qualify practical vessel modifications that are optimized for field installation.

Applications

BWXT's experience and capabilities include qualification of a large range of field modifications, including:

- Modification of openings
- Field-installed inspection ports and handholes (often without the need for welding to the pressure boundary), including unreinforced or partially reinforced designs
- Installation of Helicoils™ to repair damaged threads
- Installation of Hydra-Nuts™
- Operation with damaged or missing studs on openings
- Changes of gasket materials

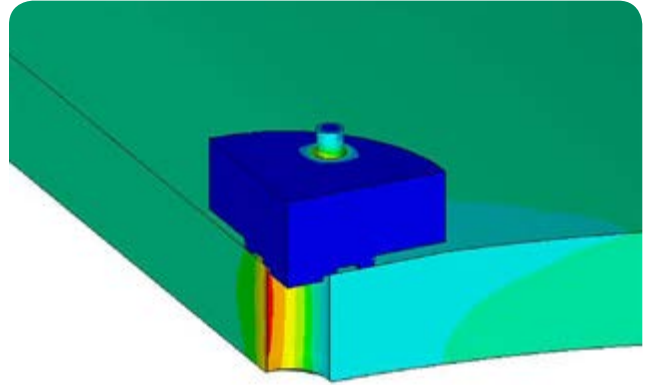
Capability and Tools

BWXT has developed extensive knowledge in bolt design and analysis, gasket selection, gasket seating design, gasket analysis and seal-weld analysis through years of experience with gasketed and seal-welded openings subject to pressures in excess of 3000 psi.

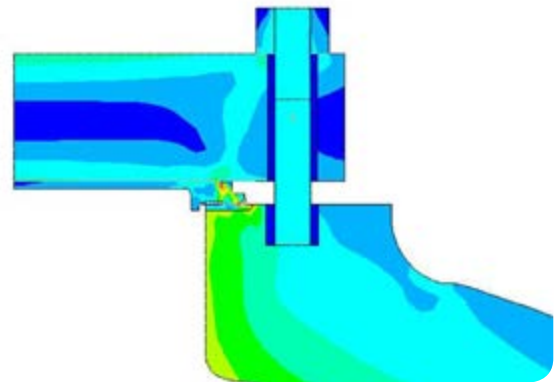
BWXT performs gasket analyses using a variety of methods, both rule-based (ASME and PVRC methods) and numerical-based, using commercial Finite Element (FE) codes (ANSYS®, ABAQUS™).

Capabilities include:

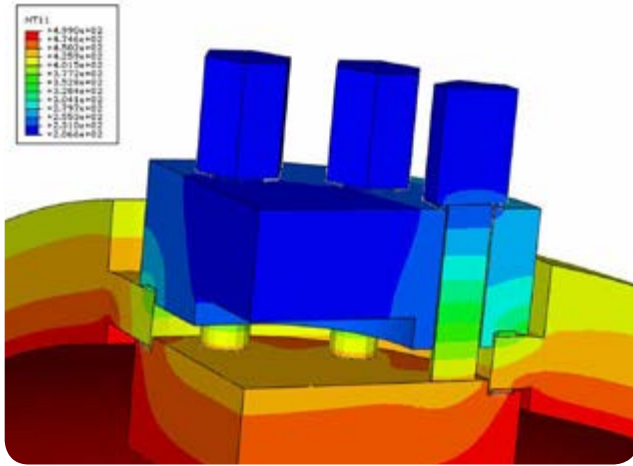
- Selection of gaskets based on joint behaviour, gasket stiffness and leakage requirements
- ASME Code design of gasketed joints/bolts, including thermal transient and fatigue analysis
- Selection of bolt assembly preloads for good gasket seating and no-leakage during operation
- Gasket and bolt design using the PVRC method, including interpretation of Room Temperature Tightness (ROTT), gasket test data and their application to bolt design
- Finite element modeling of non-linear gasket behavior including elastic-plastic modeling for the prevention of gasket leakage
- Prediction of joint rotation and optimization of joint geometry
- Fatigue analysis of seal welds



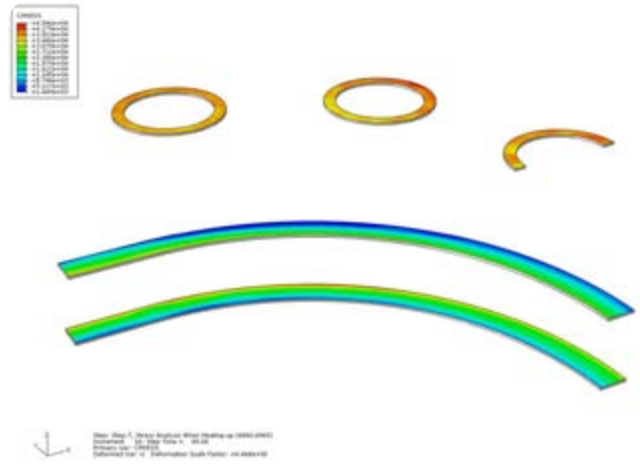
This figure shows the finite element model used for stress and leak tightness analysis. The opening is subjected to internal pressure, temperature gradients, and bolt preload



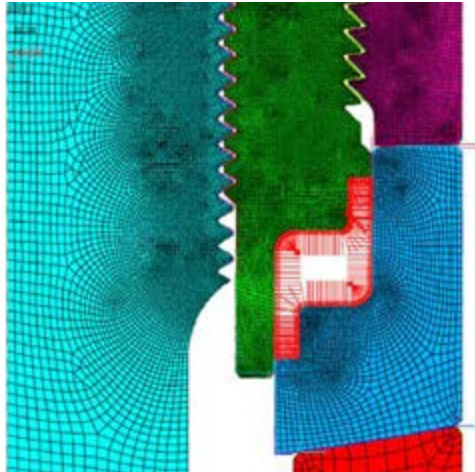
Finite Element analysis of a manway closure with a gasketed diaphragm. The model includes non-linear gasket and contact interfaces



Finite Element model of elliptical shaped manway under thermal, pressure transient loading and preload with nonlinear gaskets



Contact pressure distribution of the nonlinear gaskets of elliptical shaped manway at certain time of the transient



Finite Element analysis of a manway stud and Hydra-Nut™ during tensioning

NUCLEAR ENERGY

GOVERNMENT SERVICES

ADVANCED TECHNOLOGIES

BWXT Canada Ltd. is a subsidiary of BWX Technologies, Inc. (BWXT). Headquartered in Lynchburg, Va., BWXT is a leading supplier of nuclear components and fuel to the U.S. government; provides technical, management and site services to support governments in the operation of complex facilities and environmental remediation activities; and supplies precision manufactured components and services for the commercial nuclear power industry.

The information contained herein is provided for general information purposes only and is not intended nor to be construed as a warranty, an offer, or any representation of contractual or other legal responsibility.

Products and services described herein are provided by BWXT Canada Ltd., a BWXT subsidiary.

© 2015 BWXT Canada Ltd. All rights reserved.

www.bwxt.com



ANSYS® is a registered trademark of ANSYS, Inc.
 ABAQUS™ is a registered trademark of Dassault Systems.



BWXT Canada Ltd.
 581 Coronation Blvd.
 Cambridge, ON
 N1R 5V3 Canada
 t: +1.519.621.2130